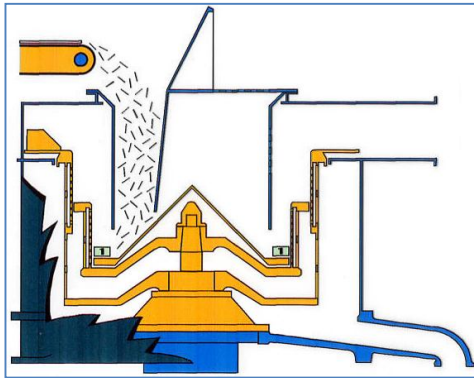
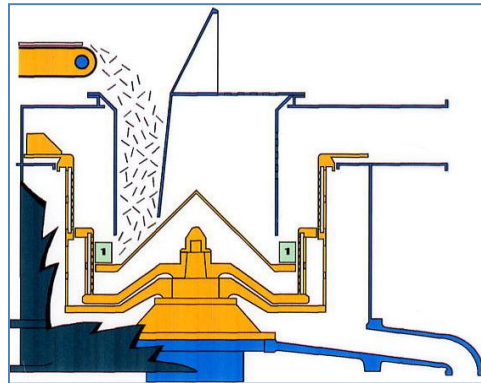


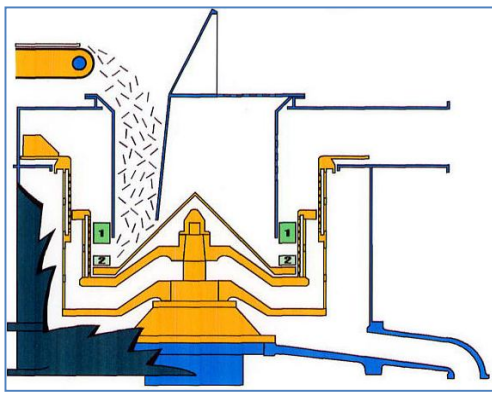
CONTINUOUS CENTRIFUGAL VERTICAL HYDRO-EXTRACTOR MODEL SCPC-TE OPERATING PRINCIPLE



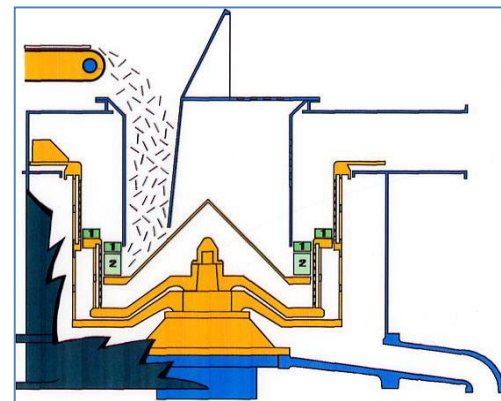
Step 1 : Initial feeding



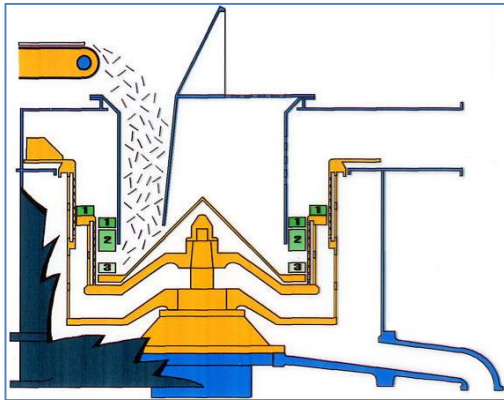
Step 2 : Pusher plate actuated
/displacing initial feed



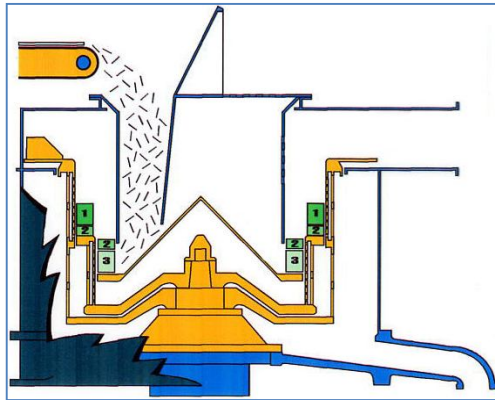
Step 3 : Newly fed material is introduced /
pusher plate is retracted



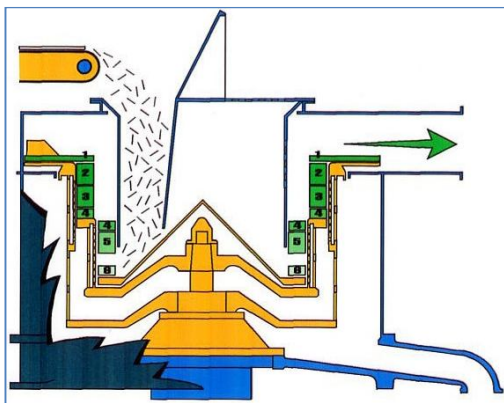
Step 4 : Pusher plate is actuated
and constantly displaces fibers



Step 5 : Feeding and displacement



Step 6 : Initially fed fibers are displaced to basket stage 2 for final liquid removal



Step 7 : Pulsed discharge of the hydro-extracted fibers

The centrifugal hydro-extractor is installed in continuous processing lines, and requires a continuous fiber feed to maximize operational efficiency.

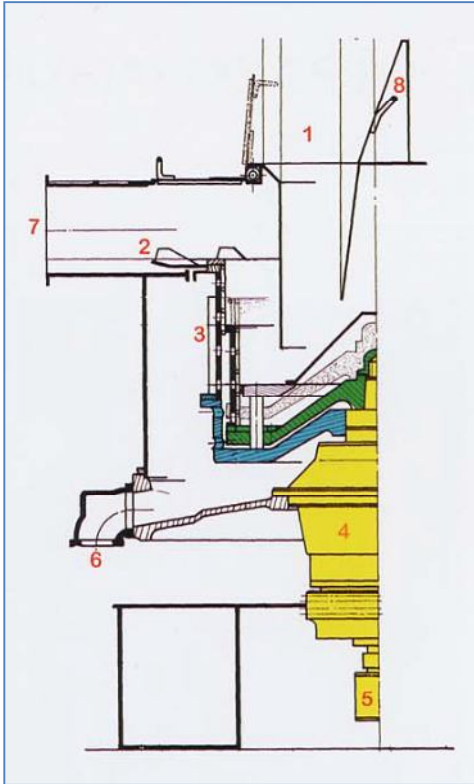
The two-stage centrifuge basket has a vertical wedge-wire filtration screen, facilitating liquid removal under centrifugal force.

The hydraulically actuated lower stage of the basket acts as a pusher and is continuously axially reciprocated [Steps 1 & 2].

In this process, newly fed material [Steps 3 & 4] constantly displaces previously fed material fed to the hydro-extractor [Steps 5 & 6].

The fibers are ejected in a pulsed manner into the fiber discharge chute [Step 7].

CUTAWAY DIAGRAM : SCPC CONTINUOUS CENTRIFUGAL HYDRO-EXTRACTOR



- 1- Continuous fiber feed through chute
- 2- Extraction ventilator / Aeration Fins
- 3- Two-Staged basket with vertical slots
- 4- Bearing housing
- 5- Rotating seal
- 6- Liquid outlet
- 7- Dried fiber discharge
- 8- Treatment product inlet (optional)