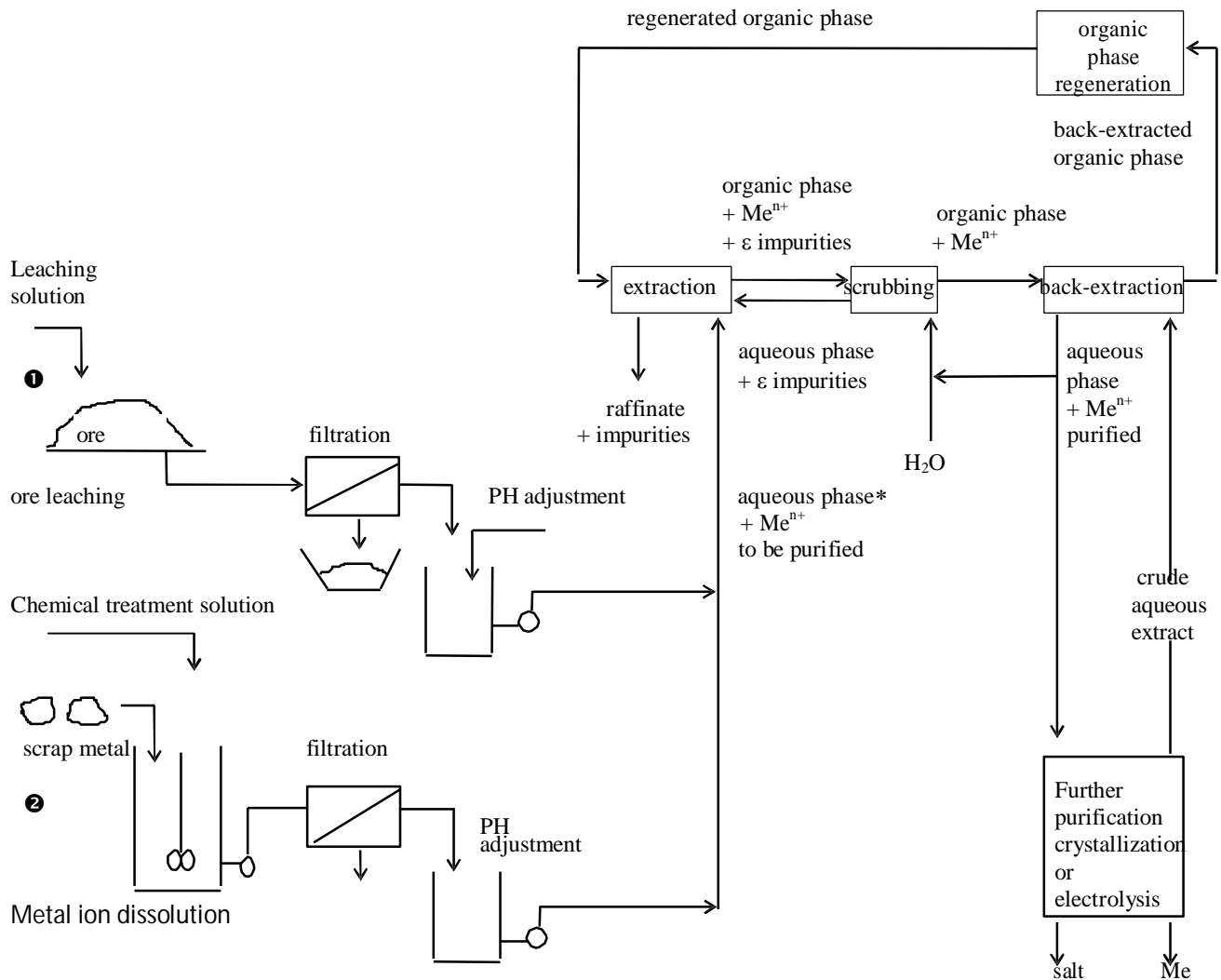


HYDROMETALLURGY



❶ = Primary refining

❷ = Secondary refining

* = Me^{n+} metallic cations (Cu^{2+} , Co^{2+} , Pt^{4+} , Au^{3+})

- Depending on the operating conditions, up to 99.95% of the metallic ion is extracted (with an initial concentration of 10 g/l).

- Total combined flow rates that can be treated::
2-10 liters/hr (laboratory scale) to 80 m³/h (industrial scale)